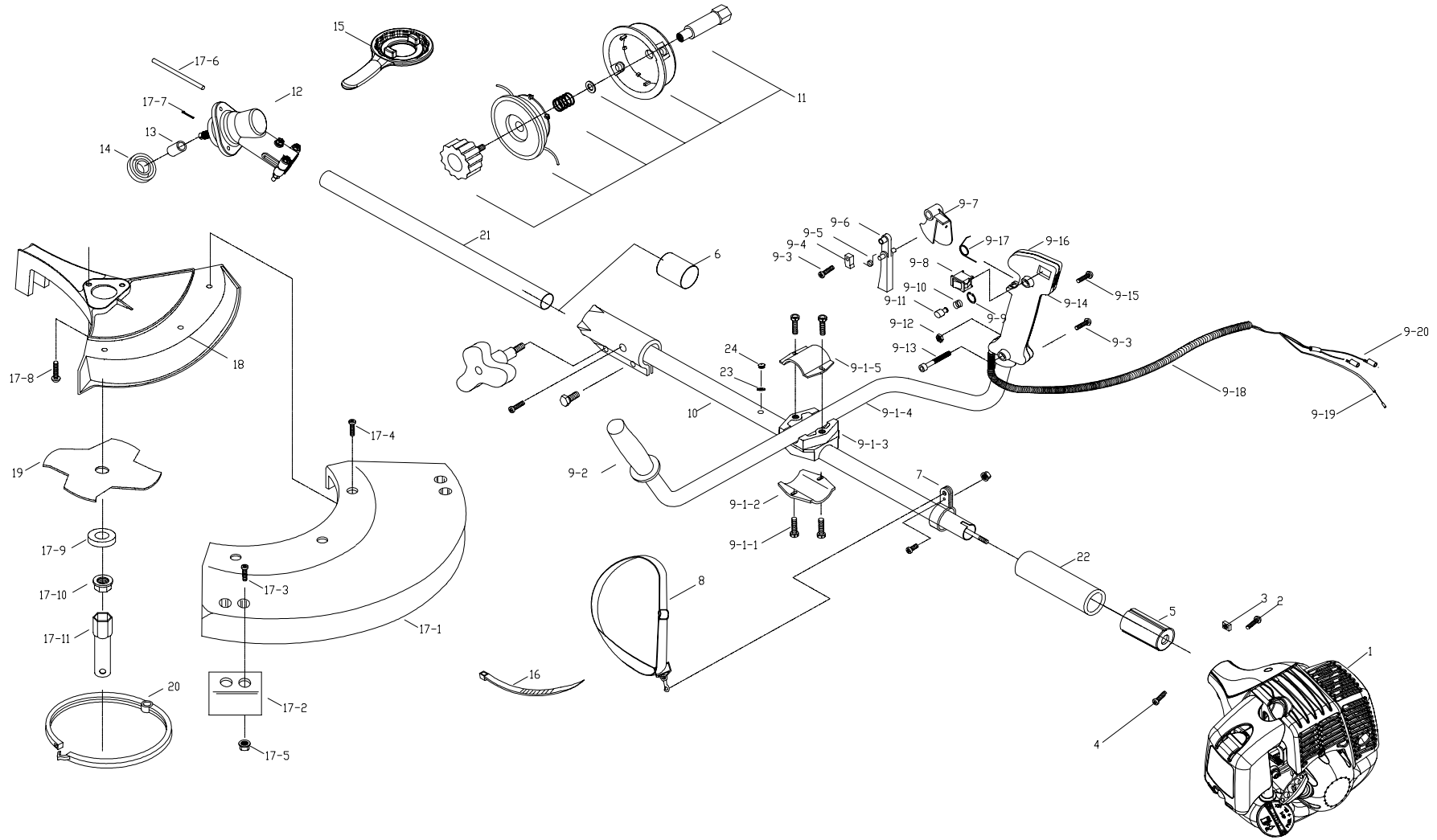


***СHАМPИОН***

**Триммер СHАМPИОН Т284**

**28cc String  
Trimmer/Brush Cutter**

**284**





**SERVICE SPARE PARTS LIST**

SPECIFY MODEL NO. WHEN ORDERING PARTS		DATE	REVISED DATE
28cc String Trimmer/Brush Cutter		07.06.2006	① 12/21 製表
MODEL NO.	284		

No.	STK CODE	Parts No.	Description	Q	No.	STK CODE	Parts No.	Description	Q
1		9238-336401	ENGINE ASS'Y	1	9-17		9024-332501	SPRING	1
2		9SDABB05-13	SCREW	1	9-18		9059-332401	HOSE	1
3		9NDB-05	NUT	1	9-19		9010-336202	THROTTLE CABLE	1
4		9SDABM05-25	SCREW	2	9-20		9010-332402	WIRE ASS'Y, SWITCH	1
5		9027-332101	REDUCTION	1	10		9228-336304	HOUSING ASS'Y	1
6		9105-330301	PLUG	1	11		9228-330319	STRINGHEAD ASS'Y	1
7		9228-330346	RING ASS'Y	1	12		9110-330301	GEAR HOUSING ASS'Y	1
8		9149-330301	HARNESS	1	13		9124-330309	SPLINE SLEEVE	1
9		9228-336310	U HANDLE ASS'Y	1	14		9131-330601	COLLERA	1
9-1		9228-336311	HANDLE	1	15		9042-330101	WRENCH	1
9-1-1		9SRCB-06-16	SCREW	4	16		9032-330401	BAND, PLASTIC	2
9-1-2		9014-330401	CLAMP	1	17		9228-330329	COVER ASS'Y	1
9-1-3		9072-330401	CENTERPLECE	1	17-1		9017-330310	COVER	1
9-1-4		9068-330404	U HANDLE	1	17-2		9250-330301	KIT, KNIFE	1
9-1-5		9158-330601	CLAMP	1	17-3		9SKKBY10/24-0.5	SCREW	2
9-2		9059-330401	GRIP, HANDLE	1	17-4		9SKKB-06-15	SCREW	3
9-3		9SLABB03-12	SCREW	2	17-5		6NGB-10/24	NUT	2
9-4		9072-332501	INSURANCE CHUNK	1	17-6		9111-330301	FILTER, AIR	1
9-5		9024-332502	INSURANCE SPRING	1	17-7		9PB1.4-20	PIN	1
9-6		9176-332501	INSREANCE GAN 186C RED	1	17-8		9SKKBY10/24-0.5	SCREW	3
9-7		9028-332501	TRIGGER 186C RED	1	17-9		9111-330302	FLANGE, SPINDLE	1
9-8		9022-330502	SWITCH 186C RED	1	17-10		9NAZ-10	NUT	1
9-9		6CE-05	E RING	1	17-11		9042-330301	SLEEVE	1
9-10		9024-332503	OIL GAN SPRING	1	18		9017-330301	SHIELD, BLADE	1
9-11		9239-332501	OIL GAN 186C RED	1	19		9250-330626	BLADE, BRUSH 4 TOOTH	1
9-12		6NAB-06	NUT	1	20		9015-330601	GUARD, CHTTING BLADE	2
9-13		6SRCB-06-35	SCREW	1	21		9228-336306	HOUSING ASS'Y	1
9-14		9067-332501	HOUSING, HANDLE LEFT	1	22		9252-332401	SPONGE HANDLE	1
9-15		6SLABB03-15	SCREW	7	23		6WSZ-04	SPRING WASHER	1
9-16		9067-332502	HOUSING, HANDLE RIGHT	1	24		6RZ04-06	RIVET	1

Stocking Codes are:

A - Dealer stocked

B - Distributor stocked

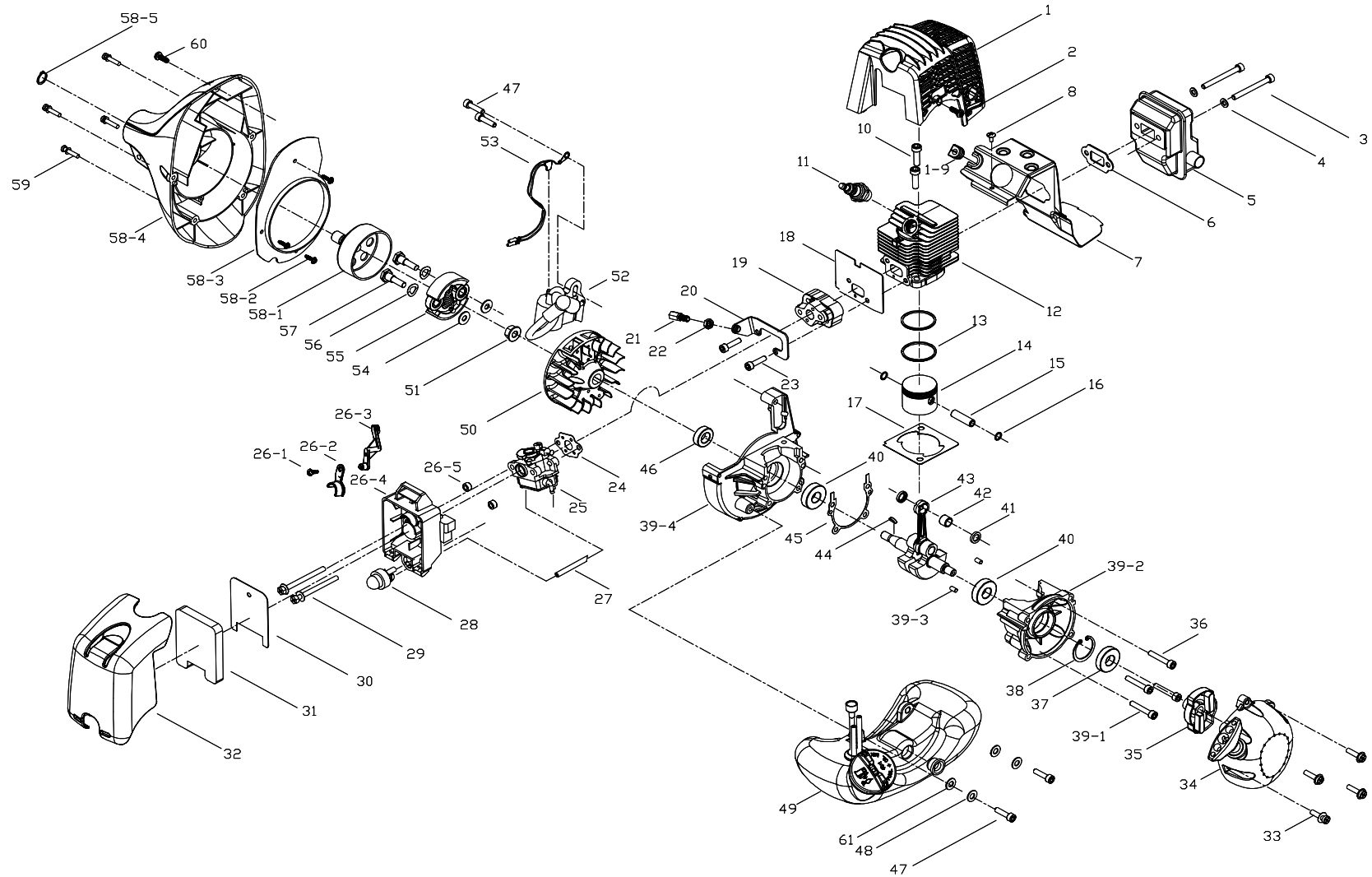
C - Factory stocked

**CHAMPION**

**ENGINE ASS'Y**

**9238-336401**

**SPARE PARTS LIST**





**SERVICE SPARE PARTS LIST**

SPECIFY MODEL NO. WHEN ORDERING PARTS				DATE			
ENGINE ASS'Y				24.11.2006		REVISED DATE	
<b>MODEL NO.</b>		<b>9238-336401</b>				N/A	

No.	STK CODE	Parts No.	Description	Q	No.	STK CODE	Parts No.	Description	Q
1		9017-336402	ENGINE HOUSING	1	34		9228-GP0110	HOUSING, STARTER	1
2		9SDABB05-13	SCREW	1	35		9228-332113	NUT ASS'Y	1
3		9SRCB-05-50	SCREW	2	36		9SRCB-05-30	SCREW	2
4		9WFB-5.64-12	WASHER	2	37		9157-332102	OIL SEAL	1
5		9228-GP0105	MUFFLER ASS'Y	1	38		9CB-28	C BUCKLE	1
6		9014-GP0102	MUFFLER GASKET	1	39		9228-332105	CRANKCASE GROUP	1
7		9211-GP0101	MUFFLER SPOILER	1	39-1		9SRCB-05-30	SCREW	4
8		9SJGB-04-08	SCREW	1	39-2		9151-332102F	LEFT CRANKCASE	1
9		9012-330301	GROMMET	1	39-3		9151-332101F	RIGHT CRANKCASE	1
10		9SACB-06-18	SCREW	2	39-4		9PC03-08S	PIN	2
11		9295-336402	SPARK PLUG	1	40		9DB-600101	BEARING	2
12		9292-GP0101F	CYLINDER	1	41		9057-MD0201	ALTERNATE RING	2
13		9189-GP0101	PISTON RING	2	42		9NR-081187	NEEDLE BEARING	1
14		9290-GP0101	PISTON	1	43		9228-GP0108	C'SHAFT/ROD ASS'Y	1
15		9115-332101	PIN	1	44		6221-830301	SEMICIRCLE KEY	1
16		9131-332102	RING	2	45		9014-332103	CRANKCASE GASKET	1
17		9014-332102	GASKET	1	46		9157-332101	OIL SEAL	1
18		9014-GP0103	GASKET	1	47		9SRCB-05-20	SCREW	4
19		9072-GP0101	INSULATOR	1	48		9WFB-0.18	WASHER	2
20		9014-336401	REGULAR SLICE	1	49		9228-GP0103	FUEL TANK ASS'Y	1
21		9059-336301	LEAD SETG	1	50		9169-334501	FLYWHEEL ASS'Y	1
22		9NCZ-06	NUT	2	51		9NAC-08	NUT	1
23		9SRCBM05-25	SCREW	2	52		9288-GP0101	IGNITION ASS'Y	1
24		9014-GP0104	CARBURETOR GASKET	1	53		9010-336402	ELECTRIC WIRE ASS'Y	1
25		9287-336401	CARBURETOR	1	54		9WFB-06-15	WASHER	2
26		9228-336403	BOX, AIR FILTER	1	55		9176-GP0101	CLUTCH ASS'Y	1
26-1		6SLABB03-12	SCREW	1	56		9WWB-08	WAVE PLATE	2
26-2		9263-GP0102	CHOKE	1	57		9214-GP0101	SCREW	2
26-3		9263-GP0101	ROD CHOKE	1	58		9228-336402	TRANSMISSION SUPPORT ASS'Y	1
26-4		9017-336404	BOTTOM COVER	1	58-1		9294-336401	BRAKE BOWL ASS'Y	1
26-5		9124-332107	BUSHING	2	58-2		6SDABB04-12	SCREW	3
27		9129-336401	FUEL PIPE	1	58-3		9211-336401	SPOILER	1
28		9142-310002	OIL FEEDER	1	58-4		9017-336401	HAVE COVERED AGO	1
29		9SXIBM05-58	SCREW	2	58-5		6CC-12	C RING	1
30		9016-330501	FILTER SCREEN	1	59		9SDABM04-20	SCREW	4
31		9252-336401	FILTER	1	60		6SDABB04-16	SCREW	1
32		9017-336403	TOP COVER	1	61		9014-GP0105	WASHER	2
33		9SQAB-05-20	SCREW	4					

Stocking Codes are:

A - Dealer stocked

B - Distributor stocked

C - Factory stocked