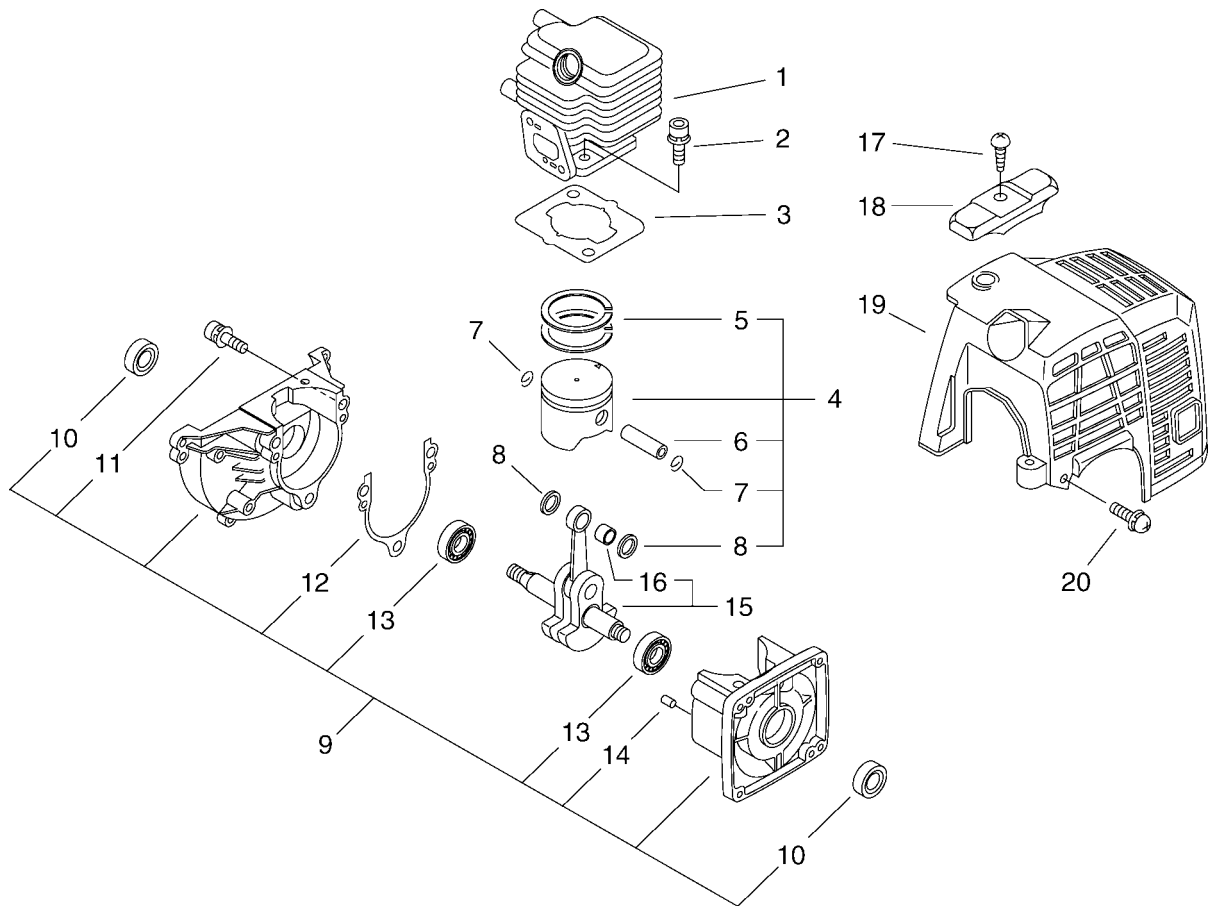




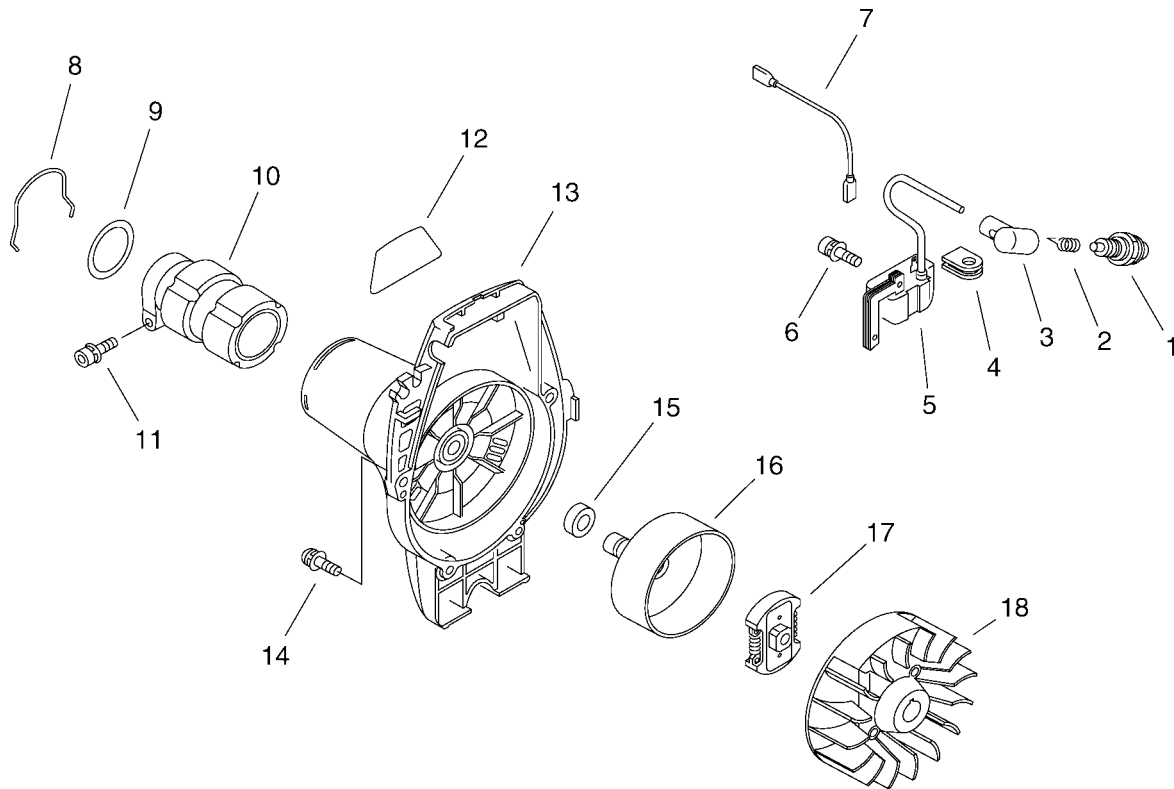
PARTS CATALOGUE

GRASS TRIMMER

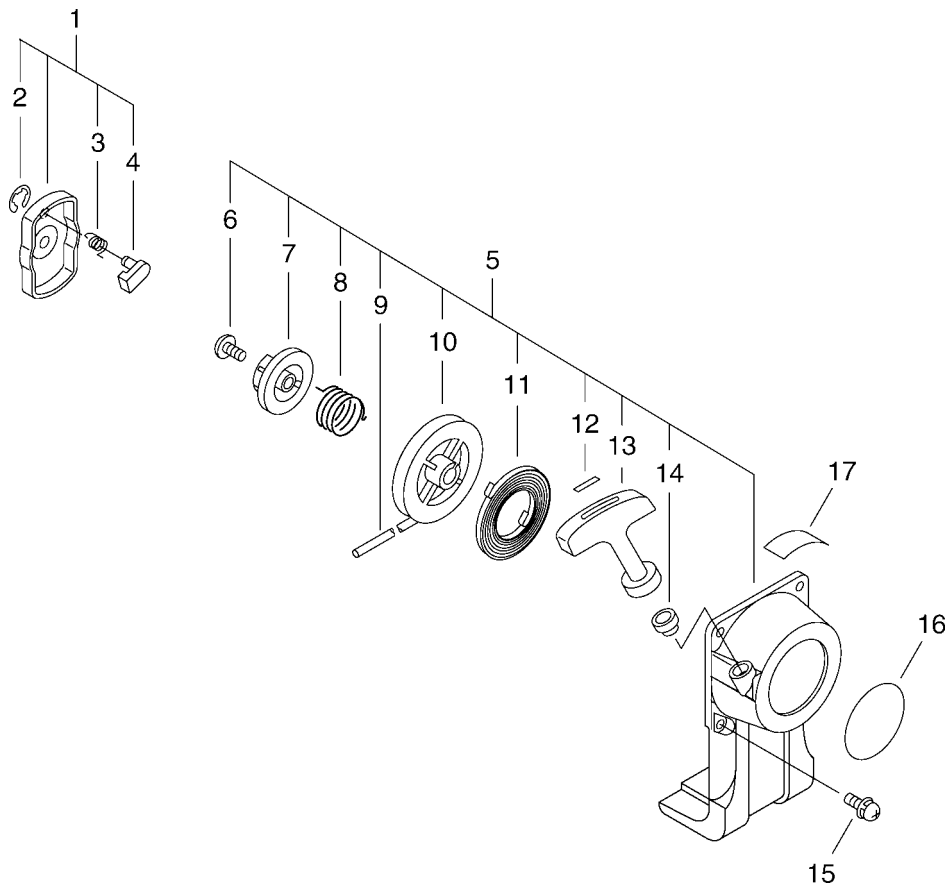
GT-22GES



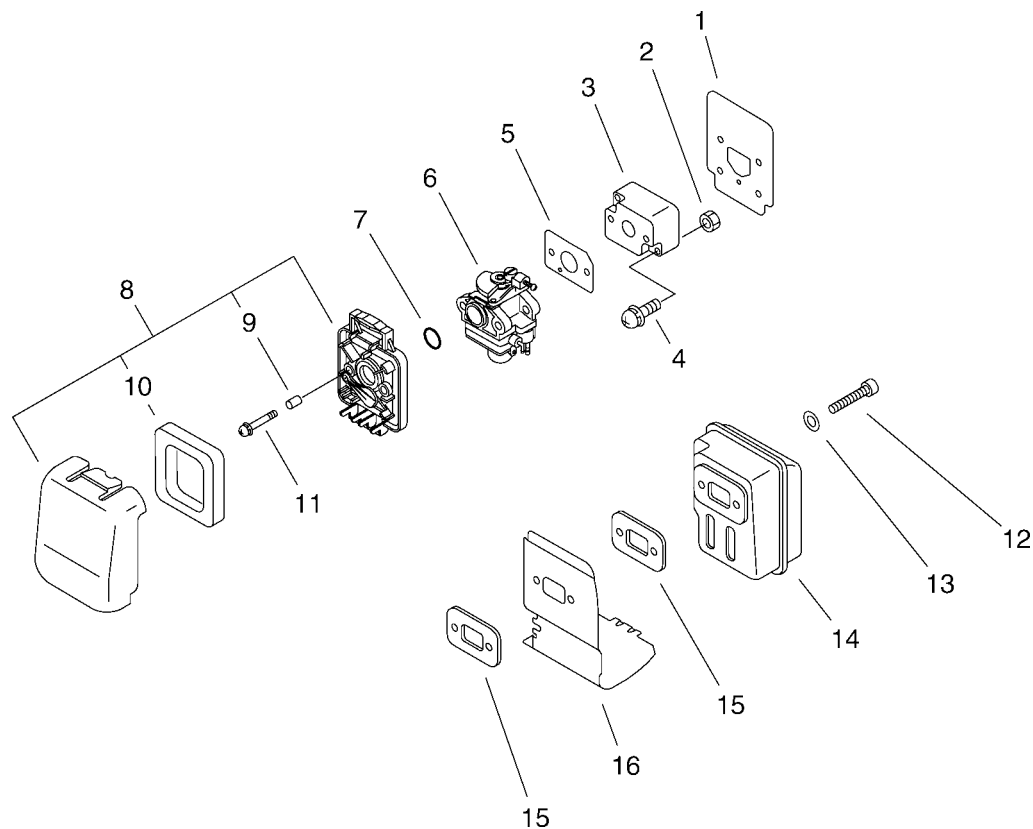
KEY	LV	PART NUMBER	Q'TY	DESCRIPTION	REMARKS
1		A130-000021	1	CYLINDER	
2		900162-05022	2	BOLT, H.S. 5*22	
3		101010-44332	1	GASKET, CYL. BASE	
4		P021-009950	1	PISTON KIT	
5	+	A101-000000	2	RING,PISTON	
6	+	100013-11520	1	PIN, PISTON	
7	+	100015-04630	2	CIRCLIP, PISTON PIN	
8	+	V306-000150	2	WASHER,CIRCULAR 8	
9		100204-52132	1	CRANKCASE KIT	
10	+	100212-42031	2	OILSEAL	
11	+	900162-05028	3	BOLT, H.S. 5*28	
12	+	100242-42030	1	GASKET, CRANKCASE	
13	+	94035-36201	2	BEARING BALL	
14	+	100215-03930	2	PIN, DOWEL	
15		A011-000002	1	CRANKSHAFT,ASM	
16	+	V553-000010	1	BEARING,NEEDLE 8	
17		900253-05020	1	SCREW 5*20	
18		A162-000060	1	GUARD, TOP	
19		A160-000630	1	COVER,CYLINDER	
20		900238-04016	2	SCREW 4*16	



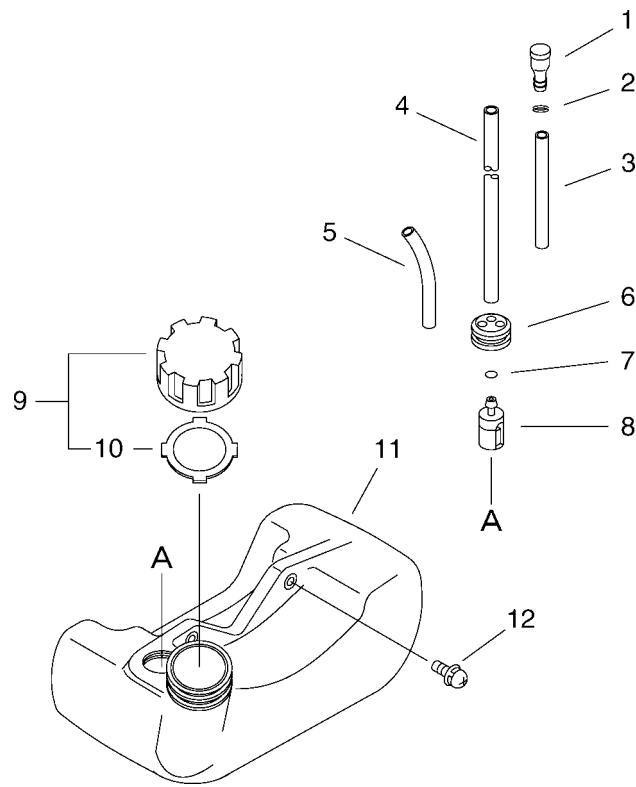
KEY	LV	PART NUMBER	Q'TY	DESCRIPTION	REMARKS
1		159010-10230	1	PLUG, SPARK (BPMR-7A	
2		159011-03432	1	COIL, SPARK PLUG	
3		159012-03433	1	CAP, SPARK PLUG	
4		156112-40630	1	GROMMET	
5		156601-52130	1	COIL, IGNITION	
6		900162-04022	2	BOLT, H.S. 4*22	
7		162010-52830	1	LEAD, GROUND	
8		660316-55630	1	CLIP	
9		V315-000030	1	WASHER, CIRCULAR 30	
10		610922-55931	1	HOLDER, MAIN PIPE	
11		91118-05028	1	BOLT	
12		X547-000580	1	LABEL, ECHO	
13		A172-000340	1	COVER, FAN	
14		91363-04016	4	SCREW	
15		175313-20430	1	RING, FELT	
16		175005-44331	1	DRUM, CLUTCH	
17		175000-56830	1	CLUTCH ASSY	
18		A409-000000	1	ROTOR, MAGNETO	



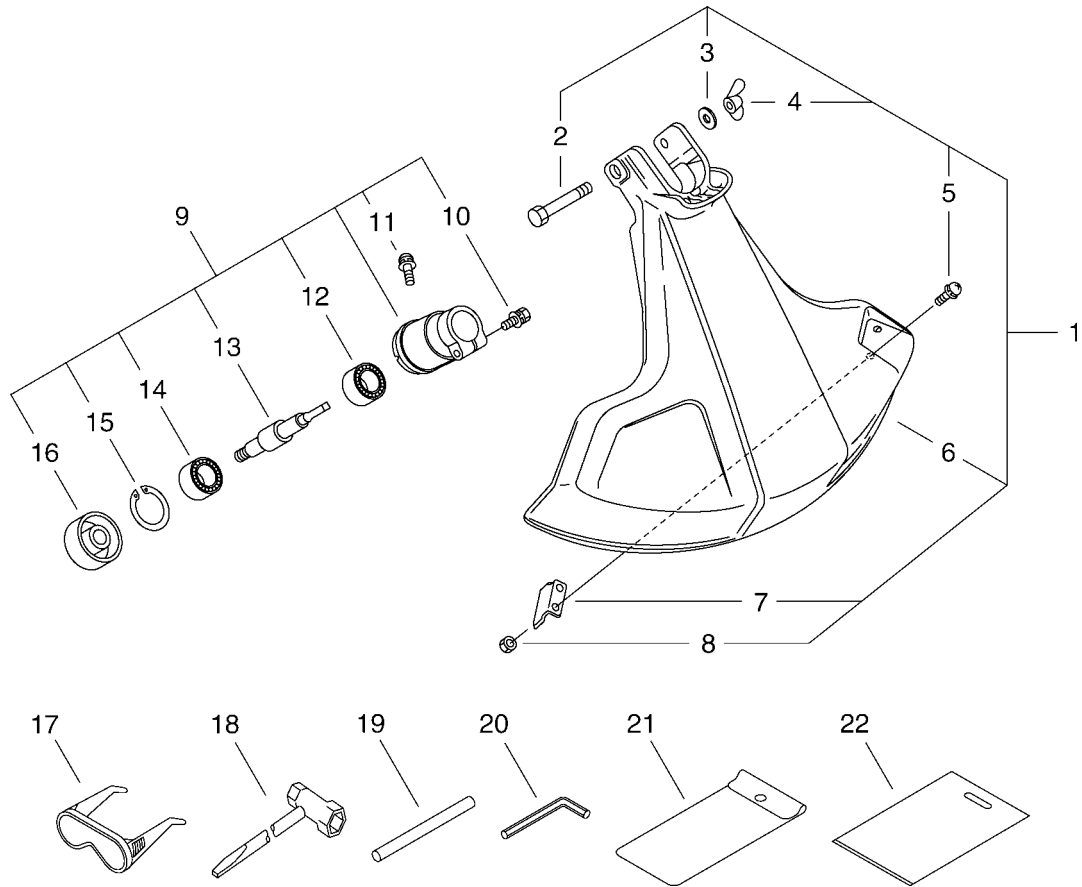
KEY	LV	PART NUMBER	Q'TY	DESCRIPTION	REMARKS
1		A052-000180	1	PULLEY,ASM STARTER	
2	+	P022-002100	2	E-RING	
3	+	P022-006510	2	SPRING, RETURN	
4	+	P022-006850	2	PAWL, STARTER	
5		A051-000680	1	STARTER,RECOIL	
6	+	177236-61830	1	SCREW	
7	+	P022-008280	1	PLATE, CAM	
8	+	P022-008270	1	SPRING,DAMPER	
9	+	P022-008260	1	ROPE	
10	+	P022-006830	1	DRUM	
11	+	177220-42030	1	SPRING, REWIND	
12	+	177246-11120	1	CLIP, STARTER ROPE	
13	+	177228-27030	1	GRIP, STARTER	
14	+	177227-42030	1	GUIDE, ROPE	
15		900238-04016	2	SCREW 4*16	
16		X502-000330	1	LABEL,ECHO	
17		X530-000210	1	LABEL,EYE CATCHER	



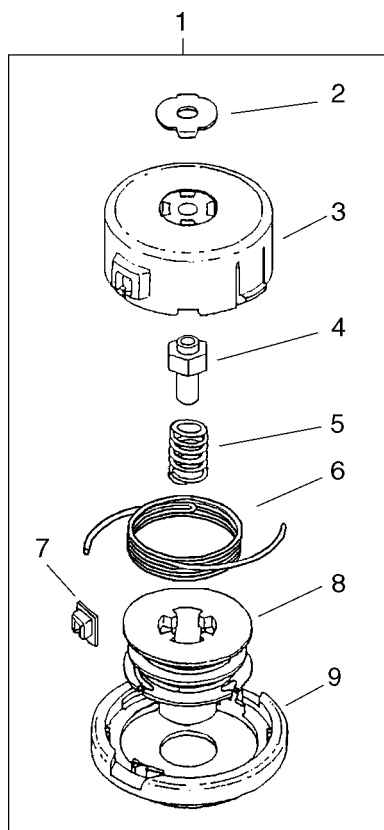
KEY	LV	PART NUMBER	Q'TY	DESCRIPTION	REMARKS
1		V103-000240	1	GASKET,INTAKE	
2		900500-00005	2	NUT 5	
3		130017-44330	1	INSULATOR	
4		900238-05020	2	SCREW 5*20	
5		V103-000250	1	GASKET,INTAKE	
6		A021-000550	1	CARBURETOR,DIAPHRAGM	
7		900720-00015	1	O-RING 15	
8		A027-000010	1	CLEANER,ASM AIR	
9	+	130327-44330	2	SLEEVE	
10	+	130310-44330	1	FILTER, AIR	
11		900242-05064	2	SCREW 5*64	
12		900105-05055	2	BOLT, H.S. 5*55	
13		900600-00005	2	WASHER 5	
14		A300-000350	1	MUFFLER,EXHAUST	
15		V104-000160	2	GASKET,EXHAUST	
16		A320-000251	1	COVER,MUFFLER	



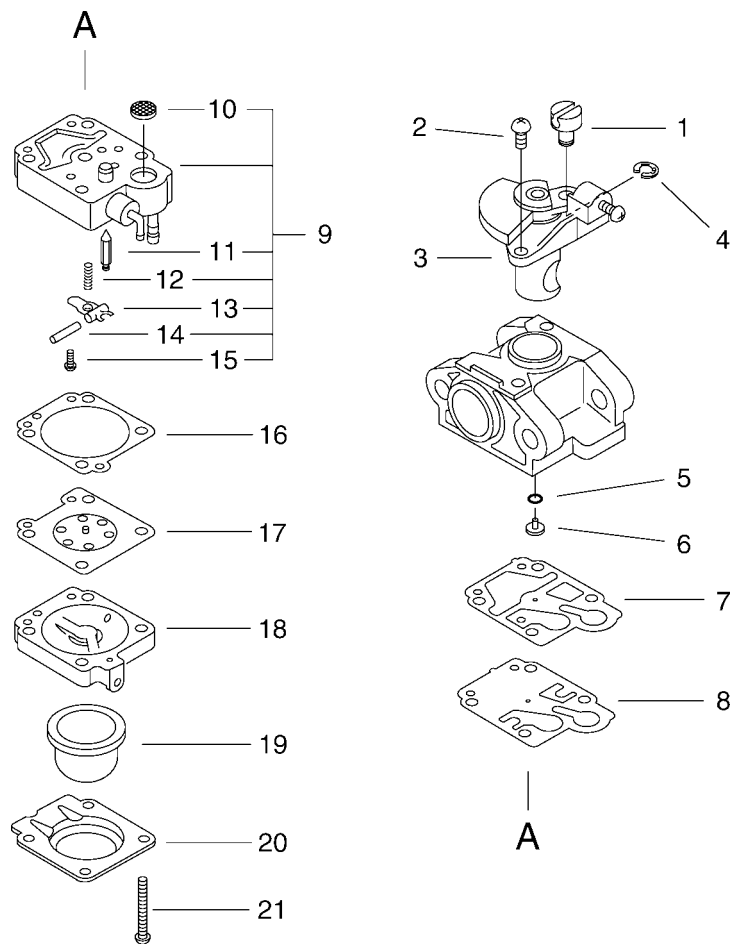
KEY	LV	PART NUMBER	Q'TY	DESCRIPTION	REMARKS
1		131300-56430	1	VALVE, CHECK	
2		130111-00530	1	CLIP	
3		V471-001200	1	PIPE	
4		V471-001190	1	PIPE	
5		132717-50430	1	PIPE 3* 6* 70	
6		132115-46730	1	GROMMET, FUEL	
7		132013-09820	1	CLIP	
8		131205-07320	1	STRAINER, FUEL	
9		131004-55830	1	CAP ASSY, FUEL TANK	
10	+	131016-55830	1	GASKET, FUEL CAP	
11		A350-000031	1	TANK, FUEL	
12		900243-05016	2	SCREW 5*16	



KEY	LV	PART NUMBER	Q'TY	DESCRIPTION	REMARKS
1		P021-009552	1	SHIELD KIT	
2	+	900017-08064	1	BOLT 1/4-20*2A	
3	+	910300-27700	1	WASHER,CIRCULAR 6	
4	+	900033-00008	1	NUT, WING 1/4-20	
5	+	900238-05012	2	SCREW 5*12	
6	+	699010-44330	1	SHIELD (INCH)	
7	+	C554-000021	1	KNIFE, CORD	
8	+	900500-00005	2	NUT 5	
9		P021-009461	1	CASE,ASM BEARING	
10	+	91118-05025	1	BOLT	
11	+	900242-04010	1	SCREW 4*10	
12	+	900810-06200	1	BEARING, BALL 6200	
13	+	610310-52430	1	SHAFT, P.T.O.	
14	+	900811-06200	1	BEARING, BALL 6200	
15	+	900702-00030	1	CIRCLIP 30	
16	+	C535-000340	1	FIXTURE, BLADE	
17		P021-002861	1	GOGGLES	
18		895410-02830	1	WRENCH, W/S. DRIVER	
19		897518-01131	1	LOCKING TOOL	
20		895610-00130	1	L-WRENCH (4MM)	
21		898510-39130	1	BAG, TOOL	
22		X698-000040	1	TOOL,CASE	



KEY	LV	PART NUMBER	Q'TY	DESCRIPTION	REMARKS
1		X047-000380	1	CUTTER,ASM LINE	
2	+	P022-000670	1	TOP PLATE	
3	+	P022-010740	1	HOUSING	
4	+	P022-010730	1	NUT	
5	+	P022-000720	1	SPRING	
6	+	P022-006190	1	NYLON CODE	
7	+	P022-000710	2	EYÉLET	
8	+	P022-000700	1	BOBBIN	
9	+	P022-010720	1	COVER	



KEY	LV	PART NUMBER	Q'TY	DESCRIPTION	REMARKS
		A021-000550	1	CARBURETOR,DIAPHRAGM	
1	+	123172-45130	1	SWIVEL	
2	+	123114-44330	2	SCREW	
3	+	P003-000840	1	VALVE ASY THROTTLE	
4	+	123173-07930	1	CLIP	
5	+	123183-40630	1	O-RING	
6	+	123184-44330	1	JET #37	
7	+	123125-40630	1	GASKET, PUMP	
8	+	123112-40630	1	DIAPHRAGM, PUMP	
9	+	123179-05560	1	BODY ASSY, PUMP	
10	++	123126-10631	1	SCREEN, INLET	
11	++	123137-19830	1	VALVE, INLET NEEDLE	
12	++	123122-05560	1	SPRING, METER. LEVER	
13	++	123123-03930	1	LEVER, METERING	
14	++	123138-03930	1	PIN, METERING LEVER	
15	++	123139-05560	1	SCREW, M. LEVER PIN	
16	+	123140-05560	1	GASKET, M. DIAPHRAGM	
17	+	P003-000090	1	METERING, DIAPHRAGM	
18	+	123180-05560	1	BODY, AIR PURGE	
19	+	123181-40630	1	PUMP, PRIMER	
20	+	123142-05560	1	COVER, PRIMER PUMP	
21	+	123110-05560	4	SCREW, PUMP COVER	

Index

Parts Number	Key No.	Parts Number	Key No.	Parts Number	Key No.
A011-000002	1 - 15	V471-001200	5 - 3	159012-03433	2 - 3
A021-000550	4 - 6	V553-000010	1 - 16	162010-52830	2 - 7
A021-000550	9 -	X047-000380	8 - 1	175000-56830	2 - 17
A027-000010	4 - 8	X502-000330	3 - 16	175005-44331	2 - 16
A051-000680	3 - 5	X505-000140	6 - 1	175313-20430	2 - 15
A052-000180	3 - 1	X530-000210	3 - 17	177220-42030	3 - 11
A101-000000	1 - 5	X547-000580	2 - 12	177227-42030	3 - 14
A130-000021	1 - 1	X698-000040	7 - 22	177228-27030	3 - 13
A160-000630	1 - 19	100013-11520	1 - 6	177236-61830	3 - 6
A162-000060	1 - 18	100015-04630	1 - 7	177246-11120	3 - 12
A172-000340	2 - 13	100204-52132	1 - 9	178003-52130	6 - 11
A300-000350	4 - 14	100212-42031	1 - 10	178010-52130	6 - 17
A320-000251	4 - 16	100215-03930	1 - 14	178012-52630	6 - 16
A350-000031	5 - 11	100242-42030	1 - 12	178013-52630	6 - 14
A409-000000	2 - 18	101010-44332	1 - 3	178043-42230	6 - 18
A440-000651	6 - 15	123110-05560	9 - 21	178090-52632	6 - 13
C050-000470	6 - 22	123112-40630	9 - 8	178127-24430	6 - 6
C403-000140	6 - 19	123114-44330	9 - 2	301200-29430	6 - 9
C506-000090	6 - 5	123122-05560	9 - 12	351201-40830	6 - 2
C535-000340	7 - 16	123123-03930	9 - 13	610272-52130	6 - 20
C554-000021	7 - 7	123125-40630	9 - 7	610310-52430	7 - 13
P003-000090	9 - 17	123126-10631	9 - 10	610922-55931	2 - 10
P003-000840	9 - 3	123137-19830	9 - 11	660316-55630	2 - 8
P021-002861	7 - 17	123138-03930	9 - 14	699010-44330	7 - 6
P021-009461	7 - 9	123139-05560	9 - 15	890152-04930	6 - 23
P021-009552	7 - 1	123140-05560	9 - 16	895410-02830	7 - 18
P021-009950	1 - 4	123142-05560	9 - 20	895610-00130	7 - 20
P022-000670	8 - 2	123172-45130	9 - 1	897518-01131	7 - 19
P022-000700	8 - 8	123173-07930	9 - 4	898510-39130	7 - 21
P022-000710	8 - 7	123179-05560	9 - 9	900017-08064	7 - 2
P022-000720	8 - 5	123180-05560	9 - 18	900033-00008	7 - 4
P022-002100	3 - 2	123181-40630	9 - 19	900105-05055	4 - 12
P022-006190	8 - 6	123183-40630	9 - 5	900162-04022	2 - 6
P022-006510	3 - 3	123184-44330	9 - 6	900162-05022	1 - 2
P022-006830	3 - 10	130017-44330	4 - 3	900162-05028	1 - 11
P022-006850	3 - 4	130111-00530	5 - 2	900238-04016	1 - 20
P022-008260	3 - 9	130310-44330	4 - 10	900238-04016	3 - 15
P022-008270	3 - 8	130327-44330	4 - 9	900238-05012	7 - 5
P022-008280	3 - 7	131004-55830	5 - 9	900238-05020	4 - 4
P022-010720	8 - 9	131016-55830	5 - 10	900242-04010	7 - 11
P022-010730	8 - 4	131205-07320	5 - 8	900242-05014	6 - 10
P022-010740	8 - 3	131300-56430	5 - 1	900242-05025	6 - 12
V103-000240	4 - 1	132013-09820	5 - 7	900242-05028	6 - 21
V103-000250	4 - 5	132115-46730	5 - 6	900242-05035	6 - 3
V104-000160	4 - 15	132717-50430	5 - 5	900242-05064	4 - 11
V306-000150	1 - 8	156112-40630	2 - 4	900243-05016	5 - 12
V315-000030	2 - 9	156601-52130	2 - 5	900253-05020	1 - 17
V430-001520	6 - 7	159010-10230	2 - 1	900500-00005	4 - 2
V471-001190	5 - 4	159011-03432	2 - 2	900500-00005	6 - 4

Index

Parts Number	Key No.	Parts Number	Key No.	Parts Number	Key No.
900500-00005	7 - 8				
900502-00006	6 - 8				
900600-00005	4 - 13				
900702-00030	7 - 15				
900720-00015	4 - 7				
900810-06200	7 - 12				
900811-06200	7 - 14				
910300-27700	7 - 3				
91118-05025	7 - 10				
91118-05028	2 - 11				
91363-04016	2 - 14				
94035-36201	1 - 13				



KIORITZ CORPORATION

7-2 SUEHIROCHO 1-CHOME, OHME, TOKYO 198-8711, JAPAN
PHONE: 81-428-32-6118. FAX: 81-428-32-6145.

ECHO[®]

200703 No.64-019(640319)640285